



Owner's Manual
RAM BLINDS
MODEL: 650

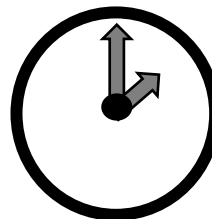


**Please scan QR
Code for Setup
Instructions**

* Image is for reference only.

**READ, UNDERSTAND,
FOLLOW ALL WARNINGS
AND INSTRUCTIONS BEFORE
ASSEMBLING, INSTALLING
OR USING THIS PRODUCT!**

Review additional instructions
online at ramblinds.com



**Approximate
Assembly Time
2 Hours**

THIS OWNER'S MANUAL MUST ALWAYS ACCOMPANY THIS PRODUCT AND BE TRANSFERRED WITH IT UPON CHANGE OF OWNERSHIP, WHEN LOANED, OR PRESENTED TO ANOTHER PERSON.

QUESTIONS? Email sales@ramblinds.com for assistance.

INTRODUCTION

Thank you for purchasing our RAM Blind. This product is designed by hunters, for hunters. It is engineered for safety, security, comfort, and stealth, putting the odds in your favor when the moment of truth arrives. Constructed with only the highest quality materials it's built for years of satisfying hunts.

Read this instruction manual and all warnings in its entirety before assembling, installing or using this product. If you have any questions on assembly, use, safety warnings, or anything else, please contact us by email at sales@ramblinds.com.

CONTENTS

Introduction 2

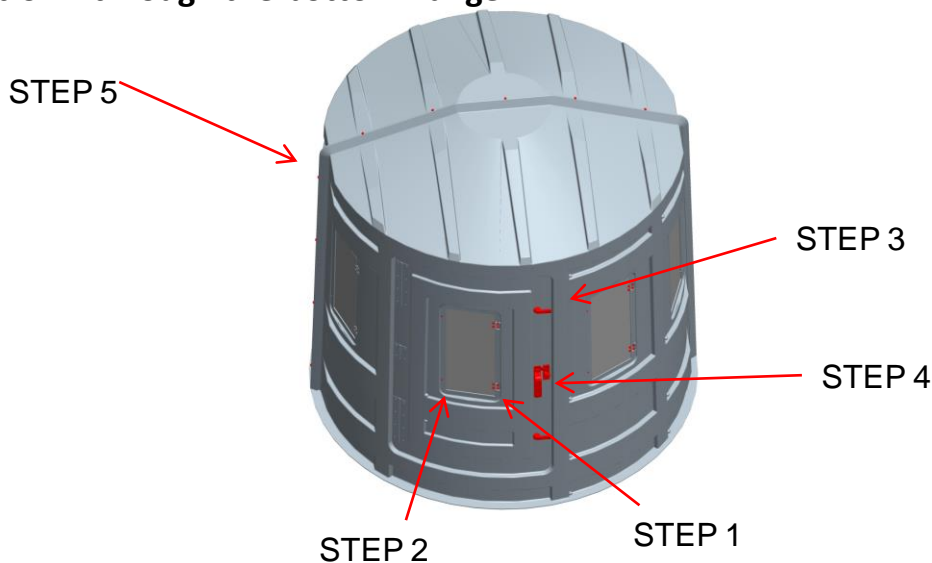
Parts List 3

Assembly Instructions4-7

Limited Warranty 8

IMPORTANT SAFETY AND WARRANTY DISCLAIMER:

- **For your safety and protection** when operating or discharging a firearm, be sure the barrel is outside the window opening, pointing in a safe direction.
- **Always** store the blind in the upright standing position.
- **Always** securely stake your blind into the ground or bolt / screw it to a stable platform through the bottom flange.



Note: Before beginning assembly of product, make sure all parts are present. Compare parts with package content list and hardware contents. If any part is missing or damaged do not attempt to assemble the unit. Contact customer service for replacement parts.

PARTS LIST

Part	RAM 650
Door Panel, 4 windows and 1 door	1
Window Panel, 5 windows	1
Vertical windows	9
Hardware Pack Box (include below parts)	1
[Step 1] <i>Window hinge sets (18xhinges, 72xmachine screws/nuts)</i> [Step 1-A] 18 Spacers	18
[Step 2] <i>Window latch sets (36 clips, 36 machine screws) and Window Seal (1 Roll)</i>	36, 1
[Step 3] <i>Door Latches and Door Seal</i>	2, 1
[Step 4] <i>Door handle kit (2x handles & 2x hex screws/nuts, 1x door shelf &4x screws/nuts, 1x handle plate)</i>	1
[Step 5] <i>1/4"-20 x 2 1/2" hex bolts with nuts (16 Included, 12 minimum)</i>	16

TOOLS REQUIRED (NOT INCLUDED):
Tools needed for assembly:

- ✓ Drill with 1/4" bit
- ✓ 5/16" and 7/16" sockets
- ✓ Phillips head screwdriver
- ✓ Hunting saw or utility knife

Optional tools:

- ✓ Quick- grip or vice grip clamps
- ✓ (to hold pieces together while drilling)
- ✓ 7/16" wrench

ASSEMBLY INSTRUCTIONS:**Step 1:****Install windows****(2 hinges per window)**

Take “**Step 1**” and “**Step 1-A**” Pack from Hardware Pack Box.

Peel off protective window wrap and install the hinges and spacers into the pre-drilled holes in each of the windows as shown in figure 1.

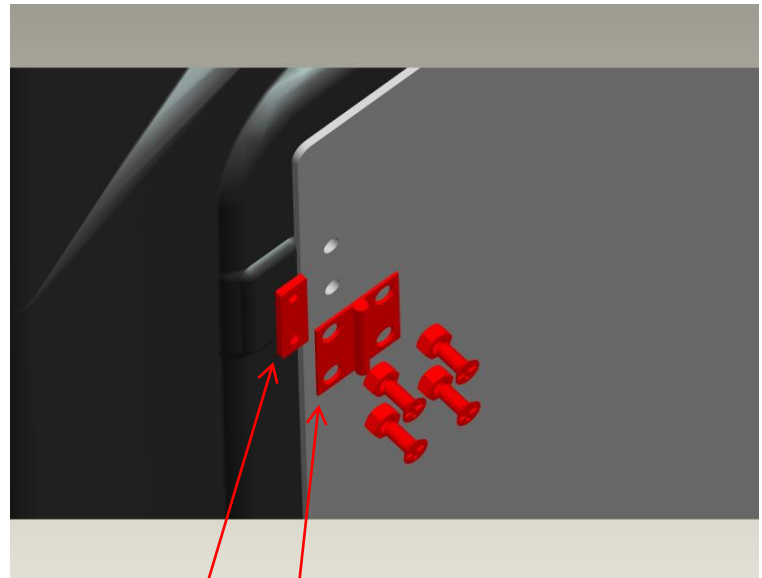
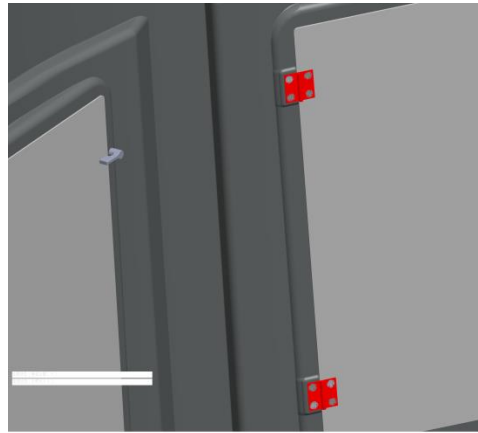
The windows, hinges, and screw heads should be inside the blind.

See Figure 1.

- **Do not** overtighten nuts; this can cause the window to crack. Tighten nuts by hand only.

- **Do not** use Loctite.

NOTE: With the window closed, you can now install the RAM Blind sticker on the outside of the door window.



Spacer

Hinge

Figure 1
Installing the
Window hinges

ASSEMBLY INSTRUCTIONS:**Step 2:****Install window latches and window seal****(4 latches per window)**

Take “**Step 2**” Pack from Hardware Pack Box.

From outside the blind, use machine screws to mount 4x window clips per window into pre-marked dimple marks (no nut needed) by screwing into the window latch. Tighten securely to desired window latch resistance.

- **DO NOT** overtighten screws.

Install Window Seal

Install window seal along the edge of the window opening inside the blind (best when temps are between 50-80 degrees). Window seal can be installed on the blind or the window itself.

NOTE: With the window closed, look where the window overlaps on the blind before installing the seal to assure the window seal is inline with the edge of the window and blind.

NOTE: Use a knife or scissors to cut your corners.

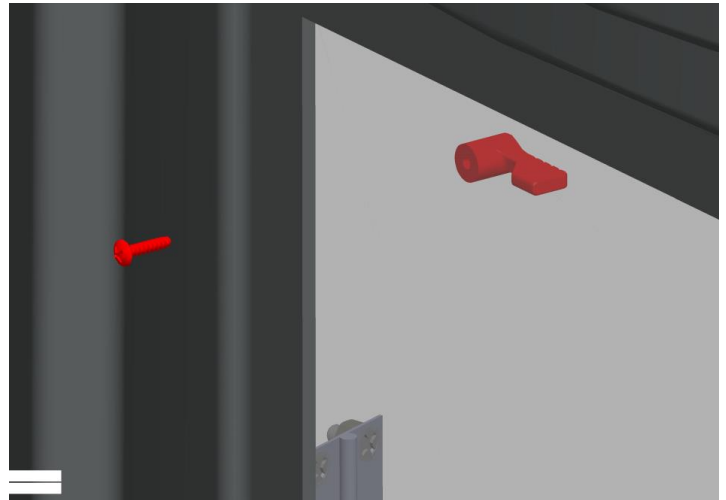
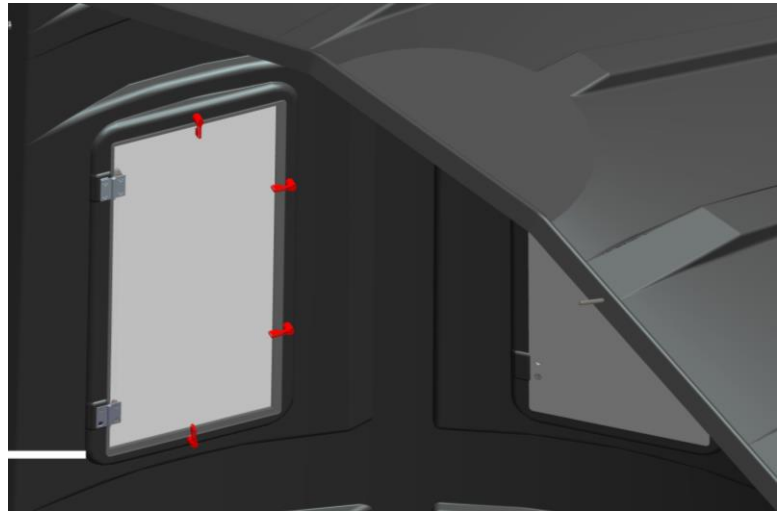


Figure 2
Install the window latches

ASSEMBLY INSTRUCTIONS:

Step 3:

Installing the top and bottom door latches

Take “**Step 3**” Pack from Hardware Pack Box.

Install the door latches using the predrilled holes on the top and bottom of the right-hand side of the door. The smaller of the two handles will be on the outside of the door along with the round coupling and larger plastic washer to help the handle rotate. Inside the door is the thinner plastic washer, locknut, 2 thin nuts, larger handle, and securing the end with the final locknut. **There is an extra plastic collar in the bag that is not needed for this updated blind.**

NOTE: The locknuts and thin nuts for the handle can be adjusted to control the handle resistance.

NOTE: The door seal should be installed on the blind before adjusting the door latch handle resistance.

The door seal comes in one continuous piece. You will need to measure and cut the seal for the top, side, and bottom opening around the door opening. The remaining seal can be cut to fit in-between door hinges.

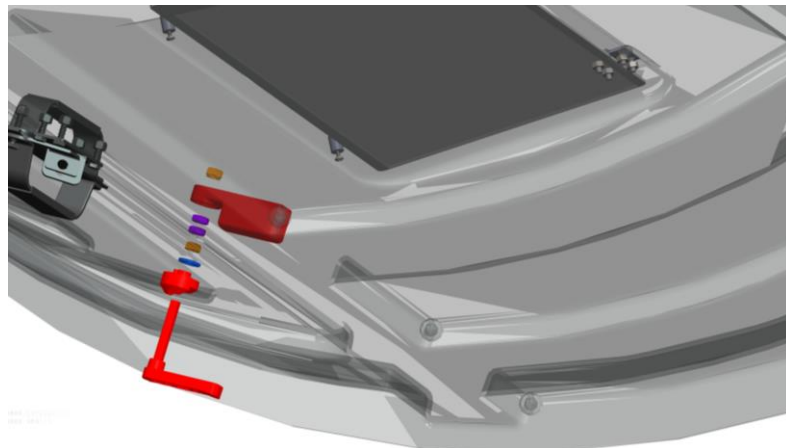
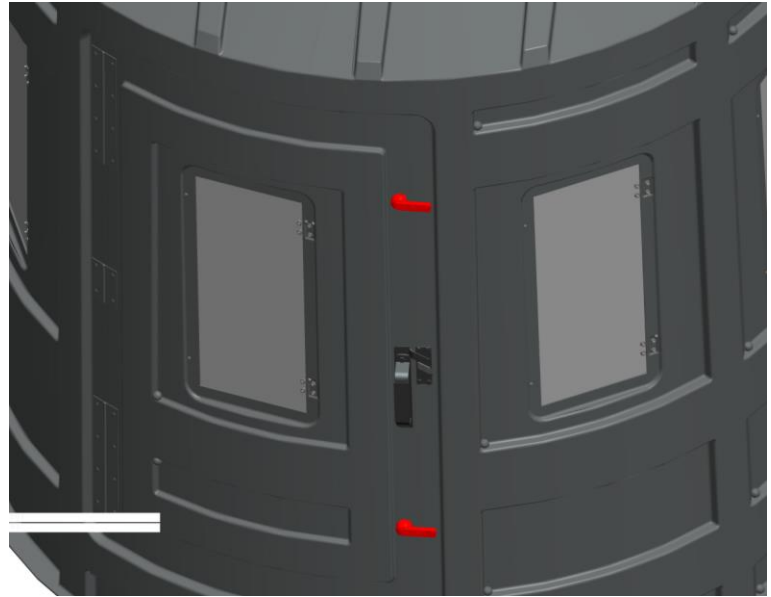


Figure 3
Install the door latches

ASSEMBLY INSTRUCTIONS:**Step 4:****Installing the door handle and handle ledge assembly**

Take **all three** "Step 4" Packs from Hardware Pack Box.

Using the ¼ drill bit, drill out the 2 holes for the door handle and the 4 holes for the handle shelf bracket.

Install door handle using the middle set of 2 pre-drilled holes. The handles go back-to-back on the outside and inside of the door with the metal ledge assembly on the outside of the door, in-between the two door handles. The inside door handle is the only part installed inside the blind.

Install the blind ledge assembly on the outside of the blind by using the middle set of 4 pre-drilled holes directly across from the top of the handle assembly. The metal tab should be on the top of the bracket.

NOTE: The locknuts for the handle and ledge assembly should all be tightened inside the blind.

Use a utility knife or fine tooth saw to cut the remaining plastic tabs around the door to commence operation of the door.

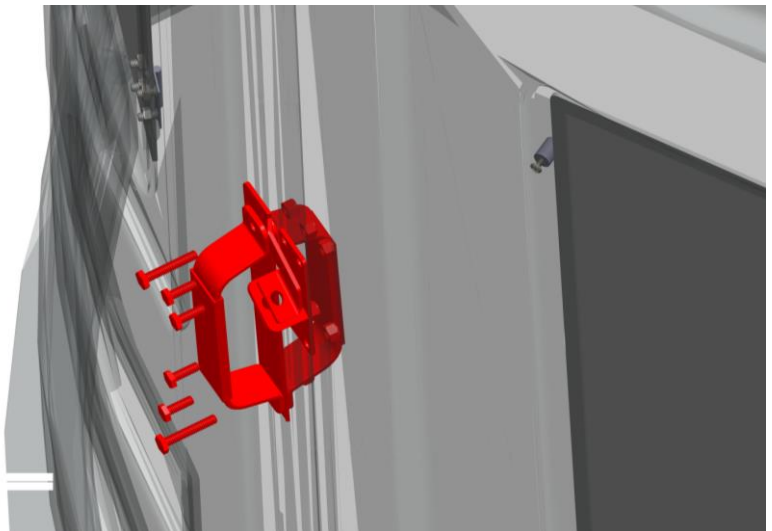


Figure 4
Install the door handle assembly

ASSEMBLY INSTRUCTIONS:

**Step 5
Pairing Panels Together**

Continue reading next page prior to starting this step

Take “**Step 5**” Pack from Hardware Pack Box. Connecting the 2 halves, slide the 2 halves together with smaller V guard (DOOR PANEL) sliding up and under larger V guard (WINDOW PANEL).

From inside of the blind, begin with drilling and bolting the center roof hole. Locate the middle of the roof and drill vertically through each V flange. Once your hole is drilled, run the bolt from outside the blind into the blind going through both V's. Tighten and secure with a nut. Then drill and bolt 2 more holes, one on each side of the center hole near the middle roof ribs. Next, drill and bolt the two corner roof holes, near the roof rib closest to the corner of the roof and side wall of the blind. Add 4 more bolts working your way down each side at 60”, 42”, 27”, and 4” from the bottom.

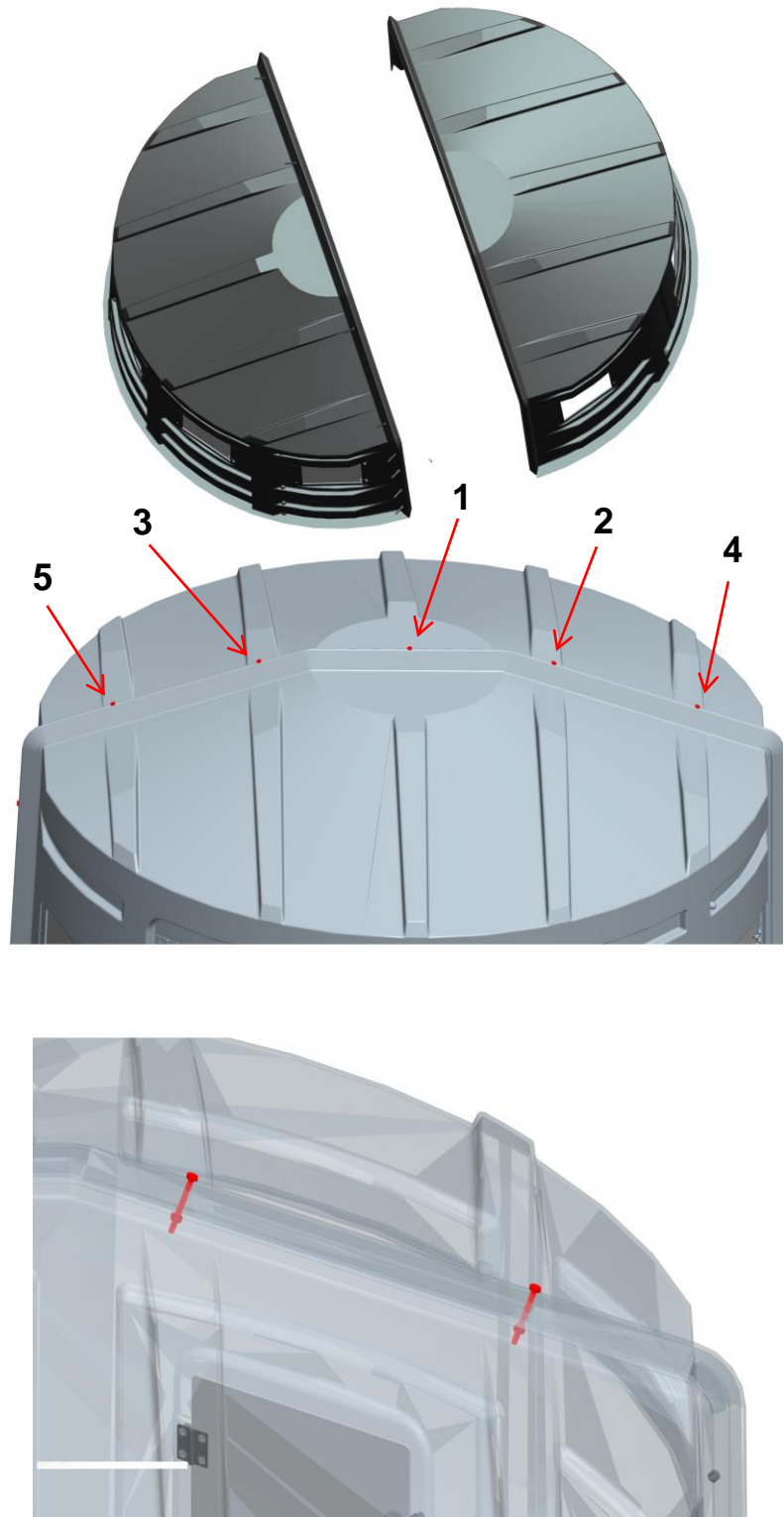


Figure 5

ASSEMBLY INSTRUCTIONS:

Step 5 Continued

NOTE: Additional bolts may be used across the top, in the very center of the roof, and along the sides to reduce light gaps between the two halves if needed.

NOTE: The roof bolts are tightened as needed to level the two halves of the blinds. A hacksaw can be used to cut off extended bolts once they are installed.

NOTE: Make sure the blind is resting flat on a level surface when pairing the two halves.

NOTE: Make sure the roof is pushed into place before drilling holes and bolting together.

NOTE: ¼ - 20 bolt hooks may be purchased on Amazon.

Do not overtighten nuts; this can cause the blind to crack.

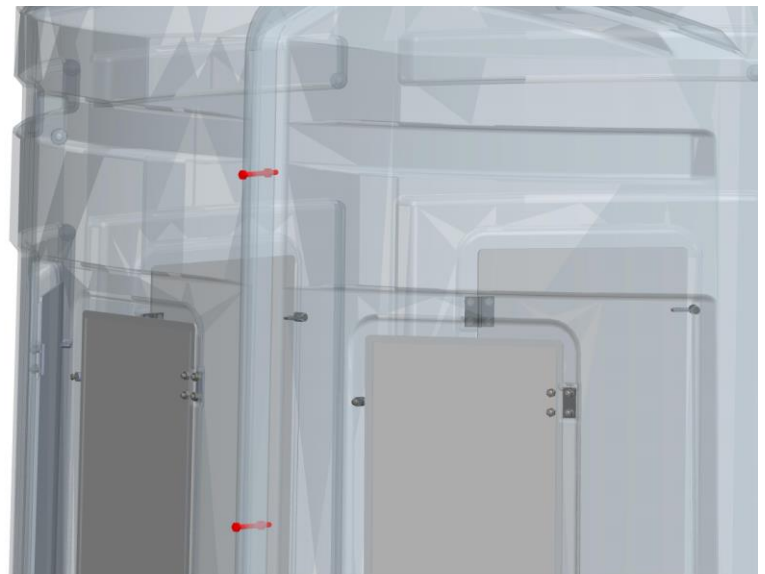
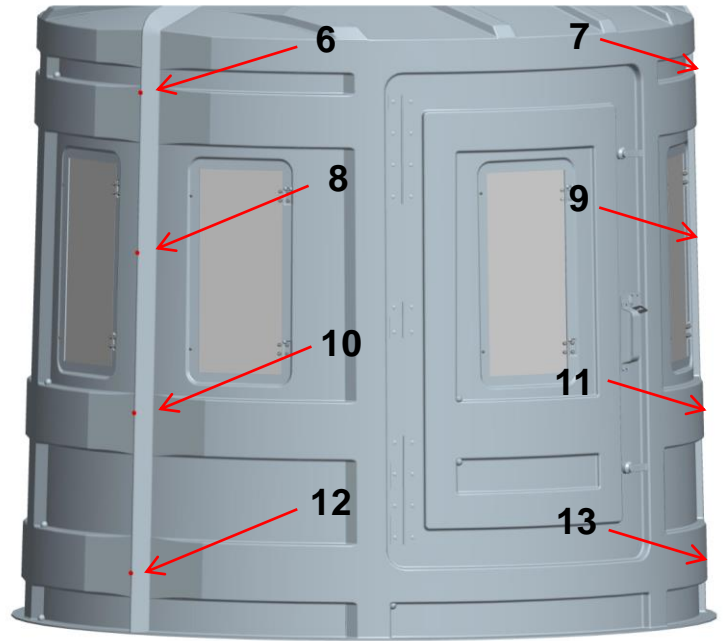


Figure 5

LIMITED WARRANTY*:

LIMITED ONE YEAR WARRANTY. WE WARRANT THIS PRODUCT AGAINST ANY MANUFACTURER DEFECTS IN MATERIALS AND WORKMANSHIP FOR PERIOD OF ONE YEAR FROM DATE OF PURCHASE FROM AUTHORIZED RETAILER TO THE **ORIGINAL OWNER**. WE WILL REPAIR OR REPLACE ANY PART FOUND DEFECTIVE IF THE UNIT CLAIMED TO BE DEFECTIVE IS RETURNED TO US POSTAGE PREPAID, WITHIN WARRANTY PERIOD. CONTACT CUSTOMER SERVICE AT SALES@RAMBLINDS.COM FOR WARRANTY CLAIMS.

This warranty is void if any product has been subjected to misuse, abuse, neglect (including but not limited to improper maintenance or failure to follow instructions), storage, improper use, misapplication, accident, normal wear, modification, adjustment, or repair.

NO OTHER WARRANTIES WHETHER EXPRESSED OR IMPLIED, INCLUDING WARRANTIES OF MERCHANTABILITY AND FITNESS FOR A PARTICULAR PURPOSE, SHALL APPLY TO THE PRODUCT.

LIMITATION OF LIABILITY

It is expressly understood that our liability for this product, whether due to breach of warranty, negligence, strict liability, or otherwise, is limited to repair of the product as stated above. We will not be liable for any other injury, loss, damage, or expense, whether direct or consequential, including but not limited to loss of use, income, profit, or damage to material from use of this product howsoever caused.

SERVICING YOUR PRODUCT:

If you have any difficulties, need repairs, or have questions about your blind, please contact us first by email at sales@ramblinds.com, please do not return the blind to a store unless instructed by the retailer.

PLEASE NOTE:

We reserve the right to make substitutions on warranty coverage for any reason, including but not limited to available parts.

*Limited Warranty to the Original Owner.

NEXCAM INC.
405 Annandale Blvd.,
Annandale, MN 55302
Email: sales@ramblinds.com
Website: <https://ramblinds.com>

