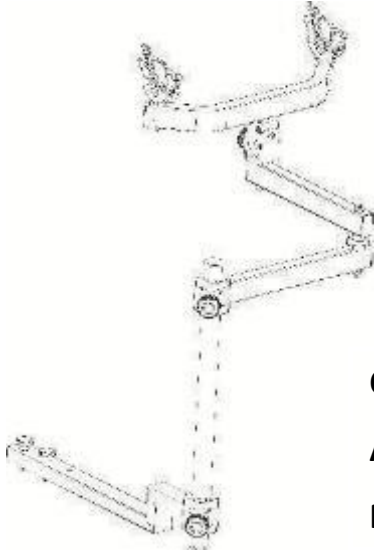




NEXCAM



AXIS SHOOTING REST INSTRUCTION MANUAL

MODEL: NA70126 Shooting Rest

Compatible with :

AXIS SG 360 Ultimate / AXIS SG 360 / AXIS RG 360 / AXIS RC 360

Not compatible with other models.

Thank you for purchasing our NEXCAM product. This product is designed by hunters, for hunters. It is engineered for safety, comfort, steady shot, and stealth, putting the odds in your favor when the moment of truth arrives. Constructed with only the highest quality materials it's built for years of satisfying hunts.

Read this instruction manual and all warnings in its entirety before using this product.

If you have any questions on assembly, use, safety warnings, or anything else, please contact us by email at support@Nexcam.com.

YOU MUST READ, UNDERSTAND, FOLLOW ALL WARNINGS AND INSTRUCTIONS BEFORE USING THIS PRODUCT!

Always read, understand and follow all Nexcam AXIS Chair instructions and warnings before installing and using this product.

This product is only intended for use with Nexcam AXIS Chairs. Never use without Nexcam AXIS Chair.

Always follow safe weapon/firearm handling rules while using this product.

Always keep firearm/crossbow pointed in a safe direction.

This product is intended for use by adults or under strict supervision of an adult.

When a firearm/crossbow is placed on the rest, always take care not to bump firearm/crossbow, rest or chair.

Never use, place or store firearm/crossbow on rest if you are not sitting in chair.

DO NOT use for any purpose other than intended use.

Always hold firearm/crossbow securely with both hands and keep contact between rear of stock and shoulder at all times while aiming and firing. Shooting Rest is not intended to hold or absorb recoil from firearm/crossbow.

Questions contact NEXCAM by email at support@Nexcam.com.

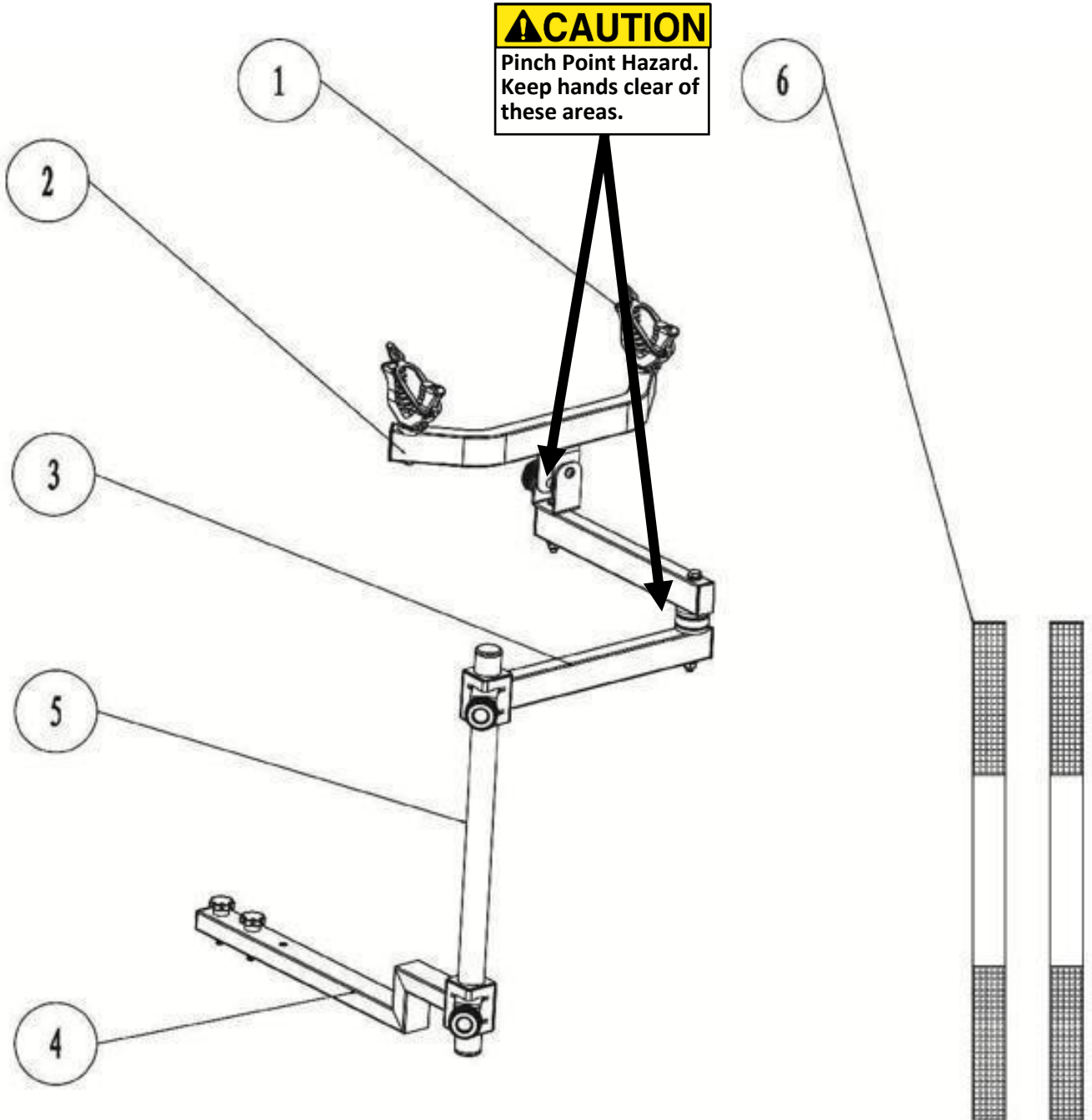
FAILURE TO FOLLOW THESE INSTRUCTIONS CAN RESULT IN SERIOUS INJURY OR DEATH!

⚠ WARNING






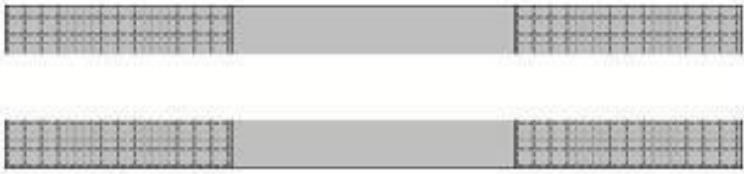
THIS INSTRUCTION MANUAL MUST ALWAYS ACCOMPANY THIS PRODUCT AND BE TRANSFERRED WITH IT UPON CHANGE OF OWNERSHIP, WHEN LOANED, OR PRESENTED TO ANOTHER PERSON.

QUESTIONS? Email support@Nexcam.com for assistance.

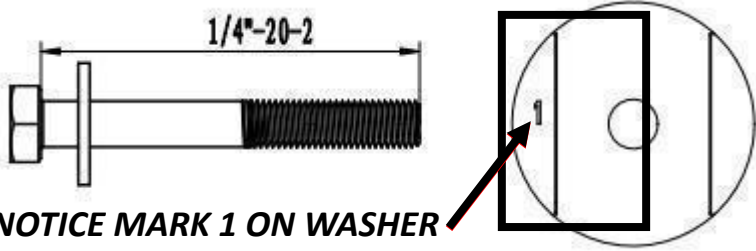

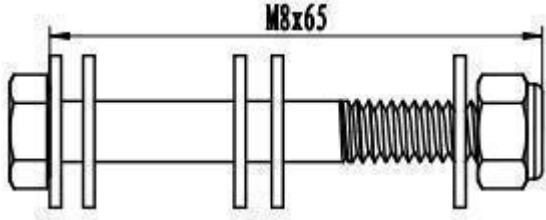
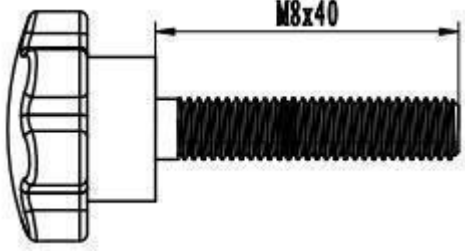
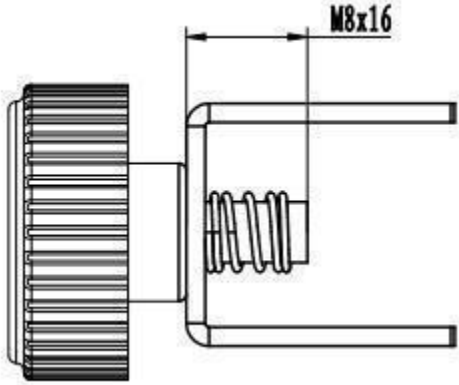
Shooting Rest Diagram



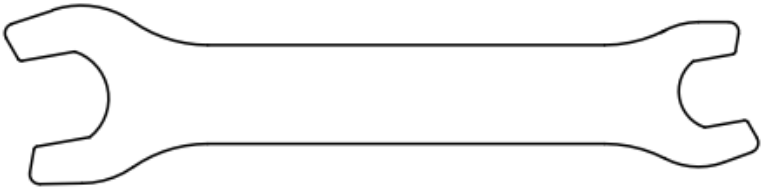

Parts List

1	Cradle (Rubber V)		Qty 2
2	Cradle Arm		Qty 1
3	Horizontal Pivot Arm		Qty 1
4	Chair Attachment Arm		Qty 1
5	Vertical Post		Qty 1
6	Velcro Strap		Qty 2

Hardware

<p>Step 1</p>	<p>1/4"-20*2" (with plastic washer w/ Mark 1)</p>	 <p>NOTICE MARK 1 ON WASHER</p>	<p>Qty 1</p>
<p>Step 2</p>	<p>1/4"-20*2" (with plastic washer w/ Mark 2)</p>	 <p>NOTICE MARK 2 ON WASHER</p>	<p>Qty 1</p>
<p>Step 3</p>	<p>M8X65 (with steel washer and plastic washer)</p>		<p>Qty 1</p>
<p>Step 4</p>	<p>M8X40 Knob</p>		<p>Qty 2</p>
<p>Step 5</p>	<p>M6x16 Knob (With Clamp & Coil Spring)</p>		<p>Qty 2</p>

Tools Required

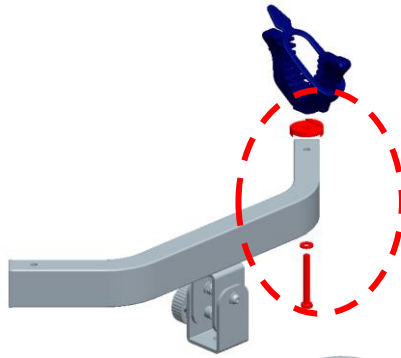
1	M8 Wrench (2 pcs) (Included)	
2	1/4" Wrench (Not Included)	

Setup Instructions

Step 1:

Install front side Cradle (#1) on Cradle Arm (#2) using one (1) 1/4"-20*2" bolt and plastic washer (Marked 1) as shown in Figure 1.

Tighten so cradle is secure to cradle arm.



Plastic washer (Marked 1)

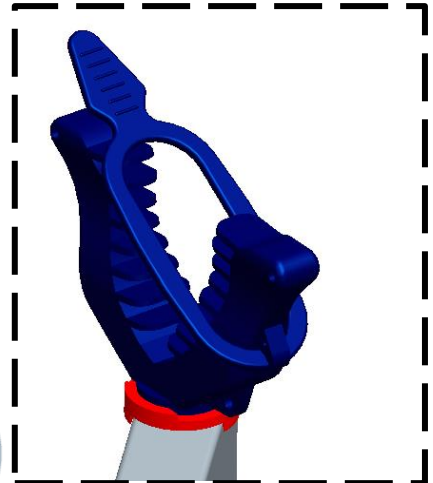
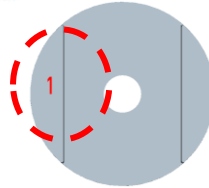


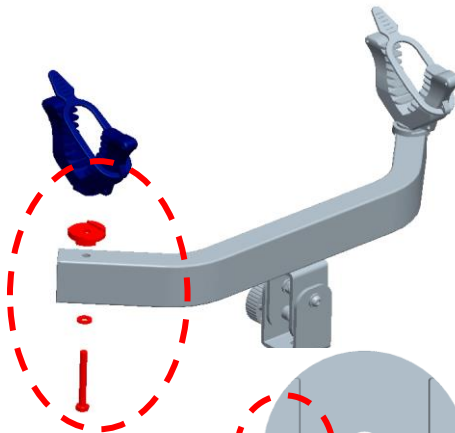
Figure 1

Step 2:

Install back side Cradle (#1) on Cradle Arm (#2) using one (1) 1/4"-20*2" bolt and plastic washer (Marked 2) and locknut as shown in Figure 2.

Tighten so cradle is secure to cradle arm.

Note – Make sure both cradles are parallel so they hold firearm/crossbow. If not loosen, adjust and retighten.



Plastic washer (Marked 2)

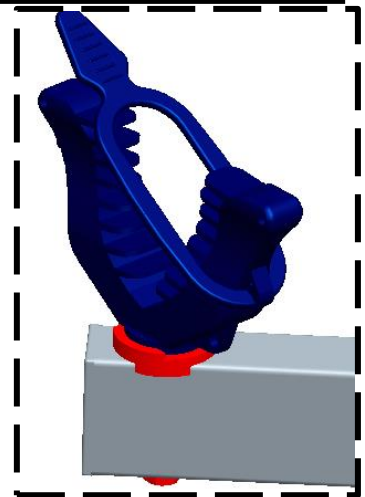
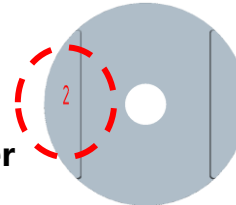


Figure 2

Step 3:

Install Cradle Arm (#2) on Horizontal Pivot Arm (#3) using one (1) M8X65 with steel / plastic washer and locknut as shown in Figure 2.

Note – Do not over tighten as cradle arm is designed to pivot.

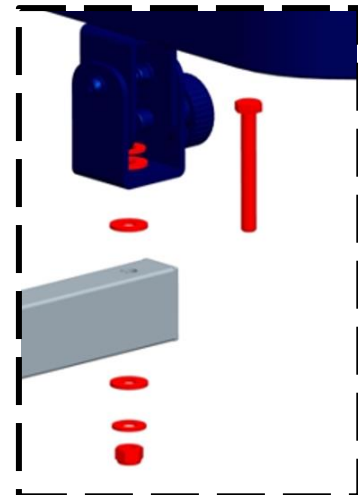
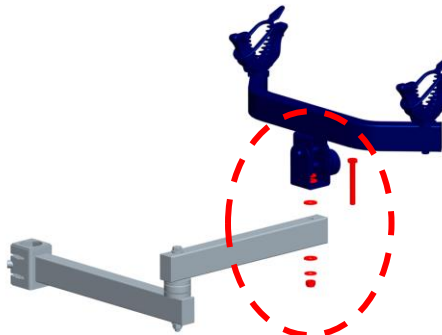


Figure 3

Setup Instructions

Step 4:

Install Chair Attachment Arm (#4) on NEXCAM hunting chair seat support base using two (2) M8x40 knob as show in Figure 4.

Securely hand tighten both knobs.

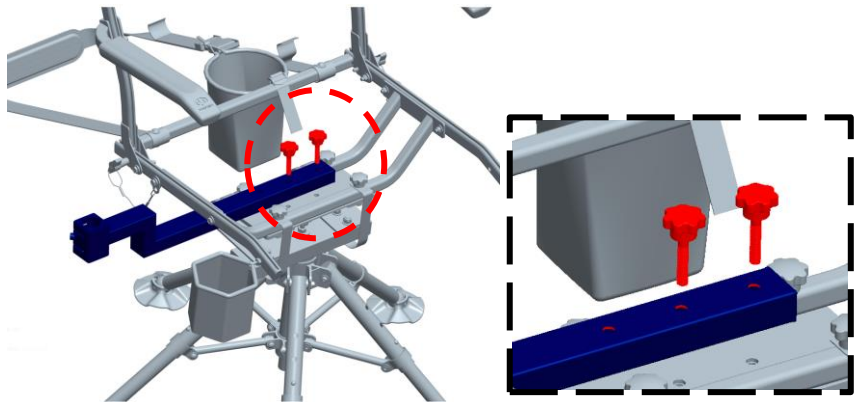


Figure 4

Step 5:

Install Vertical Post (#5) through Chair Attachment Arm (#4) & through Horizontal Pivot Arm (#3). Using two M6x16 Knob (With Clamp & Coil Spring) secured on Vertical Post (#5) by tightening the knobs. Show in Figure 5.

To adjust shooting rest height, loosen knob(s) and slide arm up/down on vertical post and retighten knob.

WARNING! Always be sure all knobs are securely tightened before use to prevent rest from sliding down.

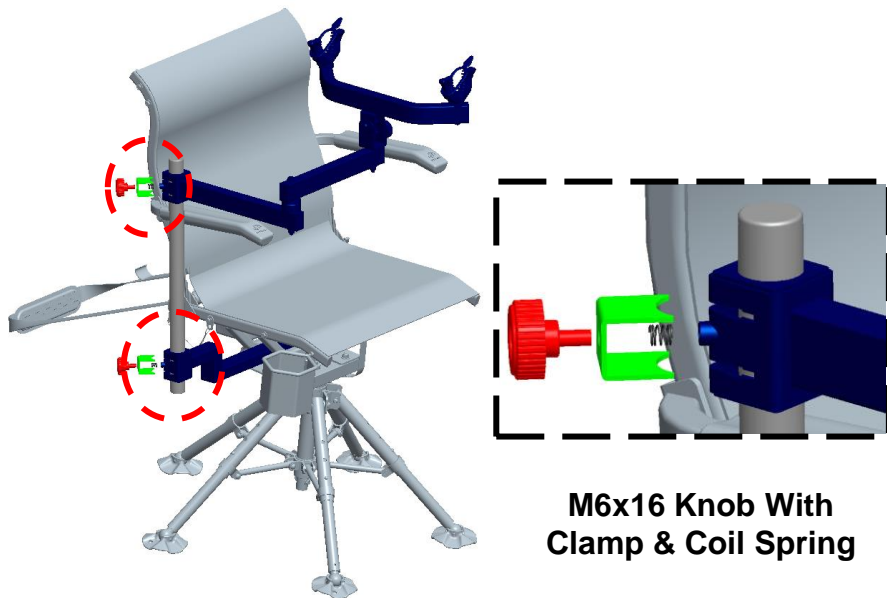


Figure 5

Packing on Chair

Using two Velcro Straps, wrap around Nexcam hunting chair for carrying as shown in Figure 6.

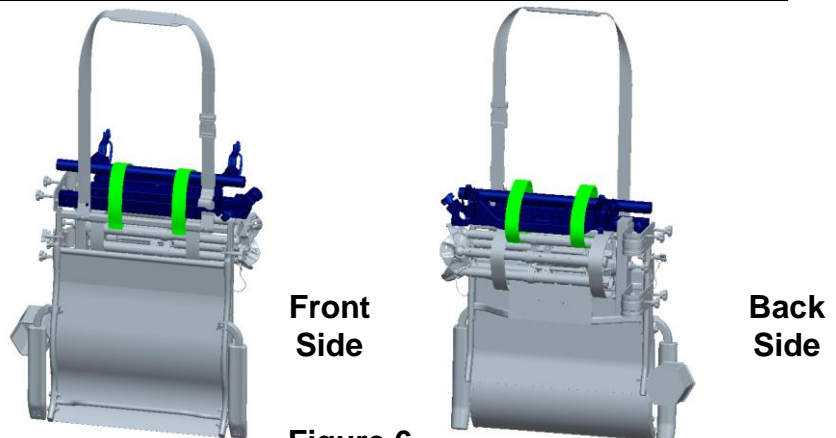


Figure 6

Before each use, review and follow all Nexcam Chair instructions and warnings found in chair instruction manual.

Before each use check to assure all locking / adjustment knobs are tight.

Never lean on or apply your weight on shooting rest. Shooting rest is designed to only hold weight of firearm or crossbow. Applying excessive weight could result in slippage or collapse of shooting rest.

Always hold firearm / crossbow on shooting rest. Shooting rest is designed to aid in steadying firearm / crossbow for better shot placement.

To avoid injuries to fingers and pinch hazards, use care when folding and adjusting shooting rest.

Always follow safe weapon/firearm handling practices. Always keep firearm/crossbow muzzle pointed in a safe direction.

Always know your target and what lies beyond in case you miss or projectile passes through target.

Always keep your finger off trigger until ready to fire.

Ensure firearm/crossbow is unloaded when removing from shooting rest.

Always be sure firearm/crossbow reciprocating parts, trigger area, ejection port, etc. are not restricted by shooting rest. If any part is restricted, do not use and reposition firearm/crossbow.

When used with crossbows, always ensure fingers are clear / below path of bow string.

Failure to properly clamp weapon to the cradles may result in weapon falling.

Prior to every use, inspect chair for damage. **DO NOT USE IF ANY DAMAGE IS VISIBLE OR SUSPECTED**, including but not limited to cuts, frayed portions, corrosion, or other damage to chair. If damage is visible or suspected, **DO NOT USE THE PRODUCT**. If there are any questions, **DO NOT** use the product and contact NEXCAM by email at support@Nexcam.com. for assistance.

FAILURE TO FOLLOW THESE INSTRUCTIONS CAN RESULT IN SERIOUS INJURY OR DEATH!

⚠ WARNING

Place Chair on a level surface with base flat on surface and make all necessary adjustments to the chair per the chair's instruction manual.

Adjusting Shooting Rest:

WARNING! Always remove firearm/crossbow from shooting rest before making any adjustments to shooting rest.

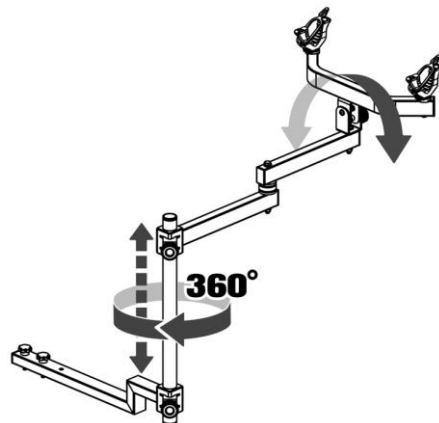
Adjusting Height:

Loosen Vertical Post Knob(s) and slide arm(s) up/down on vertical post and retighten knob(s).

Adjusting Angle:

Loosen Horizontal Pivot Arm Friction Knob and adjust shooting rest angle and retighten knob.

WARNING! Always be sure all knobs are securely tightened before use and while not actively aiming. Angle friction knob must always be tightened to prevent unintentional tilting when not actively aiming.



While sitting in chair, place unloaded firearm/crossbow in cradles making sure firearm/crossbow is balanced. Using rubber keeper straps, place these overtop of firearm/crossbow to clamp firearm/crossbow to shooting rest.

WARNING! When using crossbow, never place keeper straps overtop of barrel or in path of bow strings.

Shooting Rest is ready to be used.

QUESTIONS? Email support@Nexcam.com for assistance.

MAINTENANCE AND STORAGE:

WARNING

Do not modify this product in any way by making repairs, replacing parts, altering, adding or attaching anything to it except if explicitly authorized in writing by NEXCAM.

Use only NEXCAM authorized replacement parts. The use of unauthorized replacement parts may result in serious injury or death.

Proper maintenance and inspection is required for this product.

Never use a shooting rest that is damaged in any way. If you have questions, contact NEXCAM by email at support@Nexcam.com for assistance.

Failure to follow these instructions can lead to serious injury or death.

Should any damage occur or to purchase NEXCAM replacement parts, contact customer service by email at support@Nexcam.com for assistance.

Care and maintenance is required to assure trouble free performance of your shooting rest.

Store this product indoors in a clean, dry environment free from direct sunlight, harmful chemicals, excessive heat and dust. Exposure to sunlight, excessive heat and the elements can weaken material over time.

LIMITED WARRANTY*.

LIMITED ONE YEAR WARRANTY. WE WARRANT THIS PRODUCT AGAINST ANY MANUFACTURER DEFECTS IN MATERIALS AND WORKMANSHIP FOR PERIOD OF ONE YEAR FROM DATE OF PURCHASE FROM AUTHORIZED RETAILER TO THE **ORIGINAL OWNER**. WE WILL REPAIR OR REPLACE ANY PART FOUND DEFECTIVE IF THE UNIT CLAIMED TO BE DEFECTIVE IS RETURNED TO US POSTAGE PREPAID, WITHIN WARRANTY PERIOD. CONTACT CUSTOMER SERVICE AT [SUPPORT@NEXCAM.COM](mailto:support@nexcaml.com) FOR WARRANTY CLAIMS.

This warranty is void if any product has been subjected to misuse, abuse, neglect (including but not limited to improper maintenance or failure to follow instructions), storage, improper use, misapplication, accident, normal wear, modification, adjustment, or repair.

NO OTHER WARRANTIES WHETHER EXPRESSED OR IMPLIED, INCLUDING WARRANTIES OF MERCHANTABILITY AND FITNESS FOR A PARTICULAR PURPOSE, SHALL APPLY TO THE PRODUCT.

LIMITATION OF LIABILITY

It is expressly understood that our liability for this product, whether due to breach of warranty, negligence, strict liability, or otherwise, is limited to repair of the product as stated above. We will not be liable for any other injury, loss, damage, or expense, whether direct or consequential, including but not limited to loss of use, income, profit, or damage to material from use of this product howsoever caused.

SERVICING YOUR PRODUCT:

If you need repairs or have warranty issues, contact Customer Service at support@Nexcaml.com for assistance.

PLEASE NOTE:

We reserve the right to make substitutions on warranty coverage for any reason, including but not limited to available parts.

*Limited Warranty to the Original Owner.

NEXCAM INC.
405 Annandale Blvd.,
Annandale, MN 55302
Email: support@Nexcaml.com
Website: <https://nexcaml.com>

